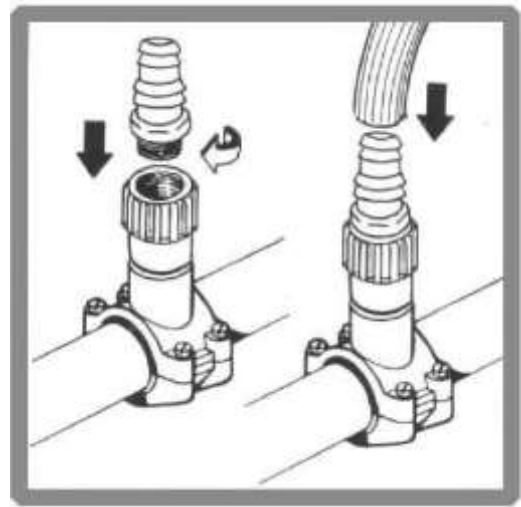
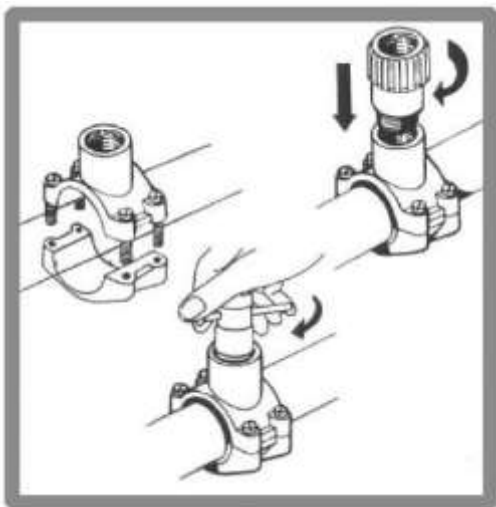
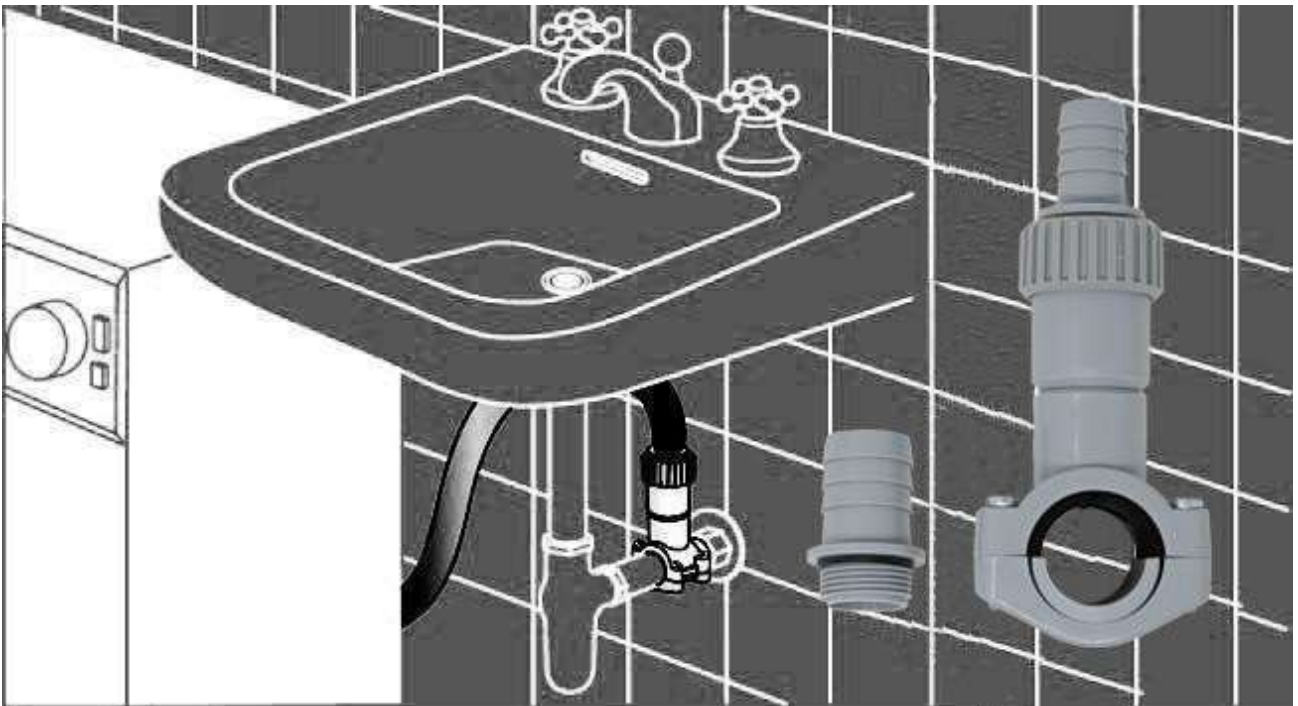


Fast flow drain kit



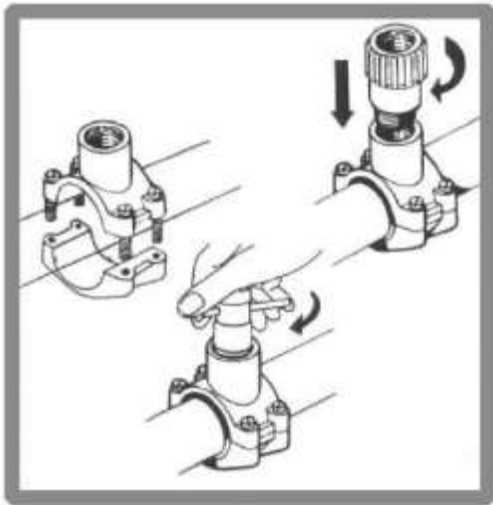
A simple and rational connection from a washing machine or a dishwasher outlet hose to a plastic or brass sink drainage pipe. **For the drainage pipe drilling it is essential to use the appropriate drilling tool.**

The drain saddle is equipped with a [non-return valve \(see below\)](#) that prevents the dirty water from returning into the washing machine or dishwasher. It also removes bad smells, working as a trap.

Both in the model for pipes \varnothing 25 mm and in the model for pipes \varnothing 50 mm, the drain saddle is equipped with a 16 mm drain hole. For the pipes ranging from 30 to 42 mm. it is equipped in a "multidiameter" model with a 20 mm evacuation hole.

The "multi \varnothing " drain saddle was made with a \varnothing 20 drain hole to cope with the tendency of European washing machine factories to shorten drain times with a greater water outflow; it is also equipped with n. 2 hose connectors for outlet hoses with internal hole of mm. 16 and mm. 20.

Drilling tools for the drain saddle installation



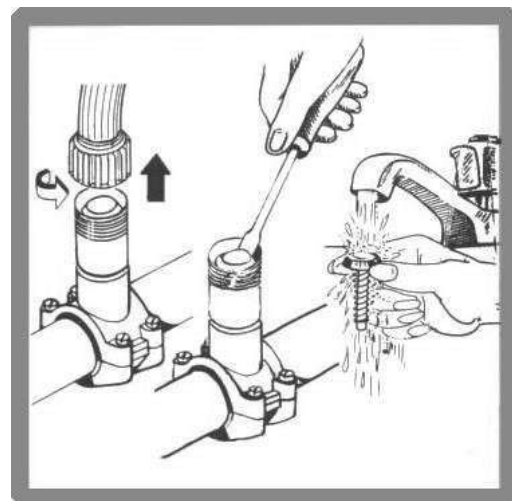
Ø 16 mm.



Ø 20 mm.

Particularly designed for drilling plastic and brass pipes, they allow a perfect execution of the required hole without using a drill. They are made of tempered steel.

Non-return valve



It allows a 20 mm diameter water flow, with the possibility to inspect it and clean it periodically.

The upper part of the body has a rotating ring nut that you can unscrew independently of the hose connector, whereas the internal valve is free and removable.