

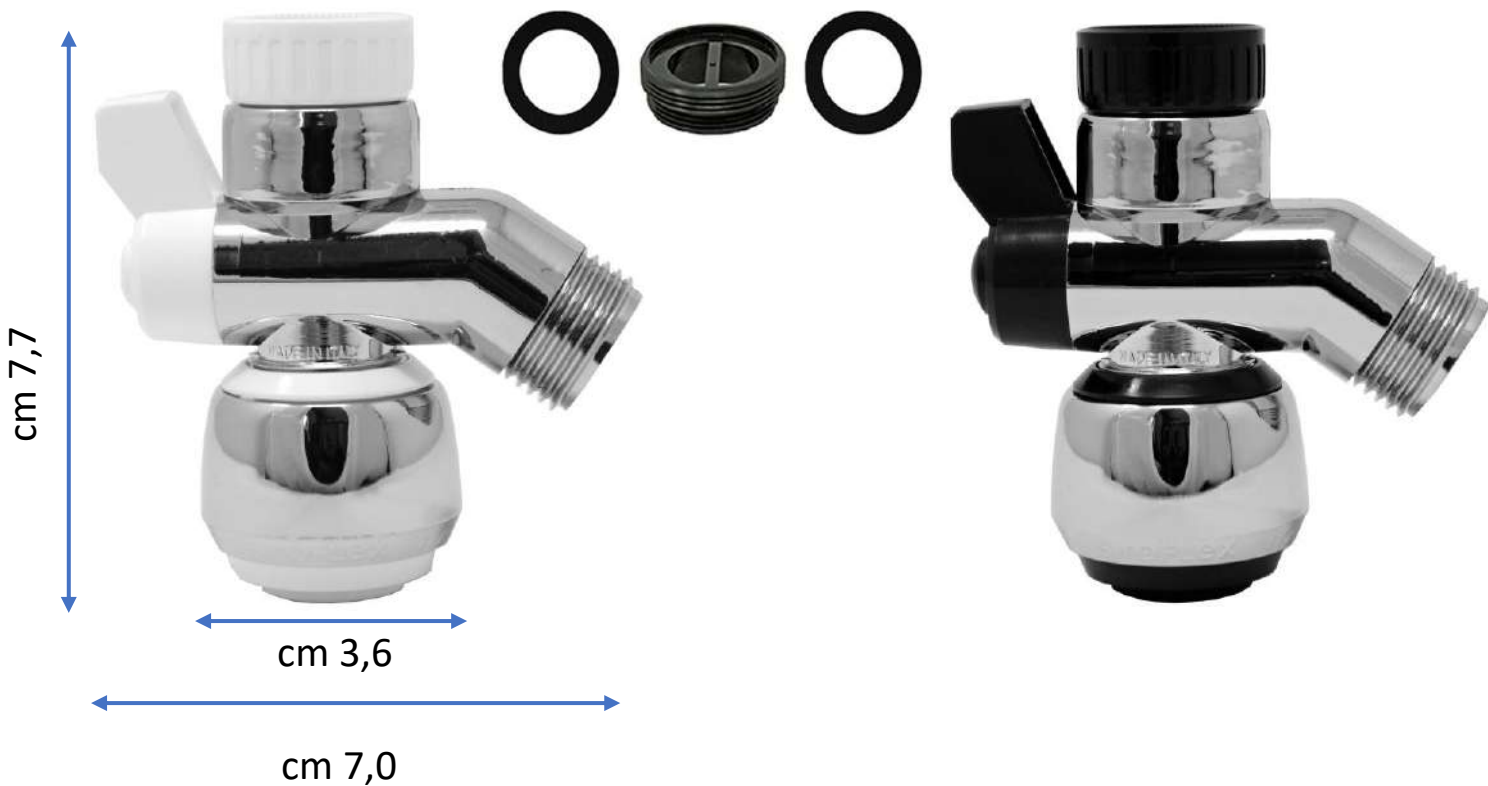
DIVERTER

WITH AERATOR-SHOWER TAP SPRAYER

Weight gr 54

For taps with 22 mm Male thread

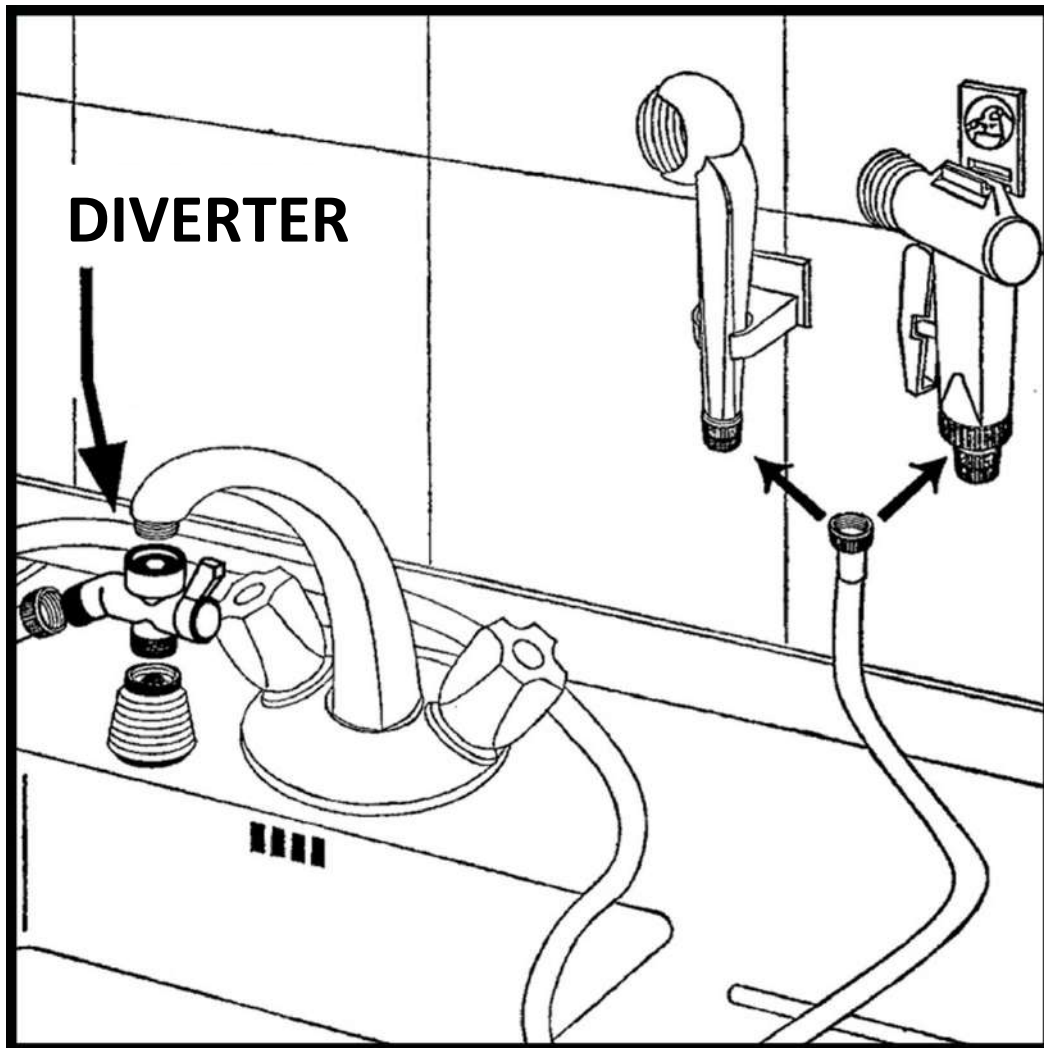
Adapter 22x1M Male – 24x1M Male for taps with 24 mm Female thread (internal)



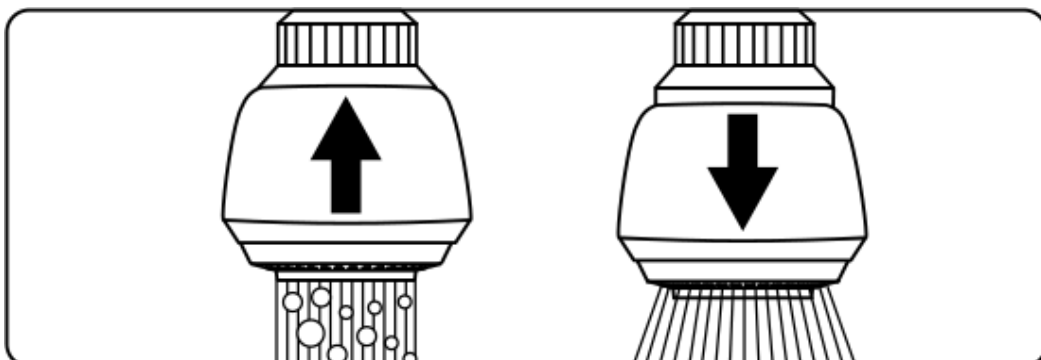
INSTALLATION

ATTENTION: it is not necessary to tighten too hard as you only risk damaging the lock nut. For a perfect watertight seal, the male tap thread must be flush with the end of the female diverter thread, by using the provided washers .

FUNCTIONALITY

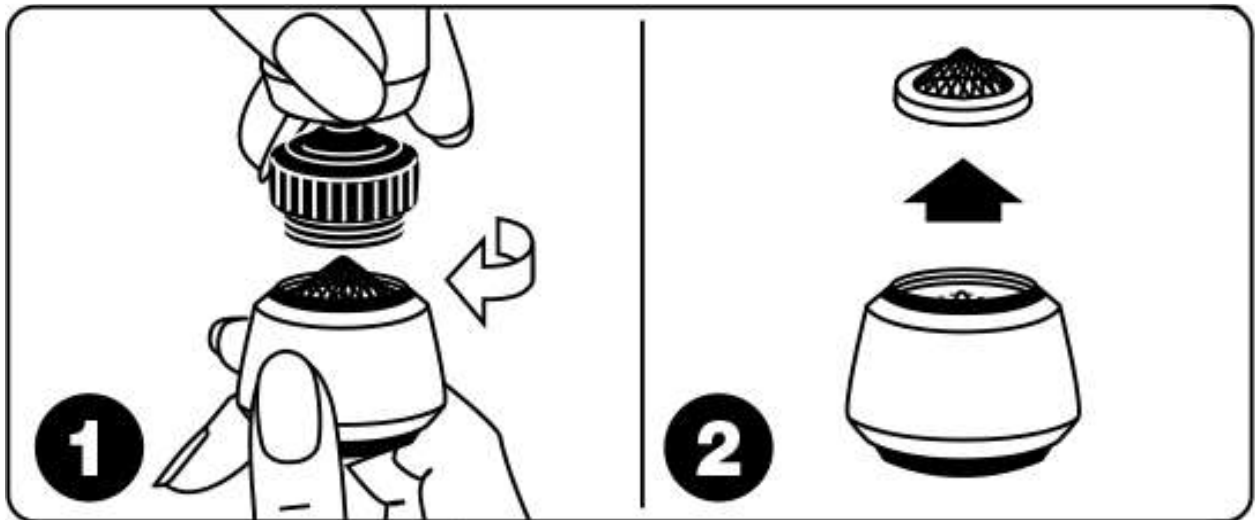


Turn the diverter knob to pass from the tap sprayer use to the handshower use.



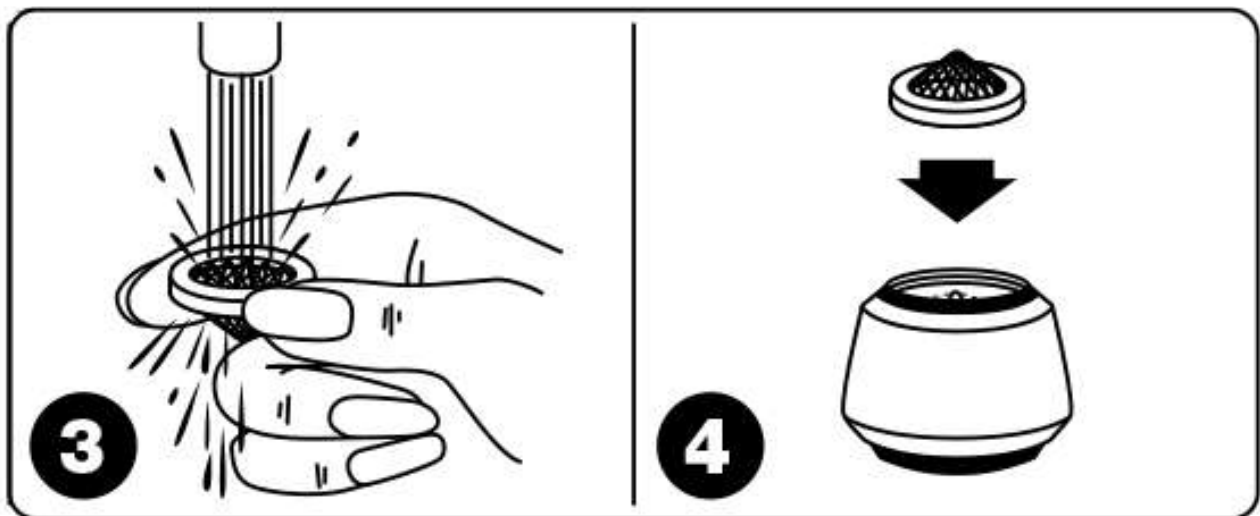
To switch the function of the tap sprayer (from aerator to shower), simply push the outer collar downwards.

MAINTENANCE



To keep the tap sprayer always in perfect conditions (even in case of irregular flow), clean the special stainless steel screenwasher.

1. Unscrew the tap sprayer head;
2. remove the screenwasher;



3. rinse the screenwasher with water;
4. replace the screenwasher.

If you notice limescale deposits, simply unscrew the tap sprayer head, soak it in vinegar or an anti-limescale product for a few hours and brush off the residues: it will be as good as new.



PACKAGE

BEWARE OF IMITATIONS

HAIR-WASH HANDSHOWERS

