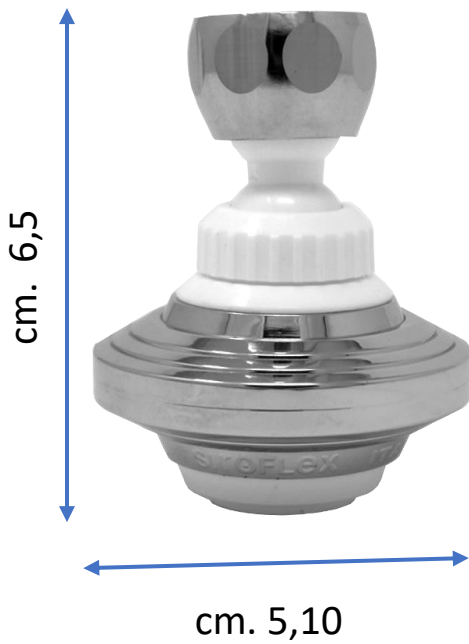


“DELUXE” AERATOR-SHOWER TAP SPRAYER WITH DOUBLE SWIVEL AND BRASS NUT

Weight g 57

For taps with 22 mm Male
thread

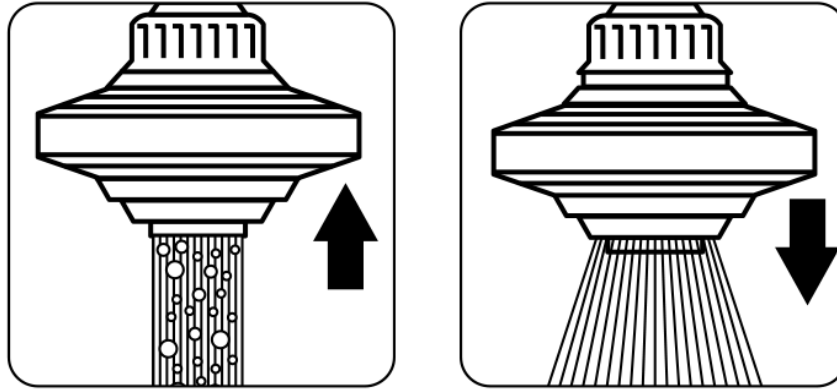
Adapter 22x1M Male – 24x1M
Male for taps with 24 mm Female
thread (internal)



INSTALLATION

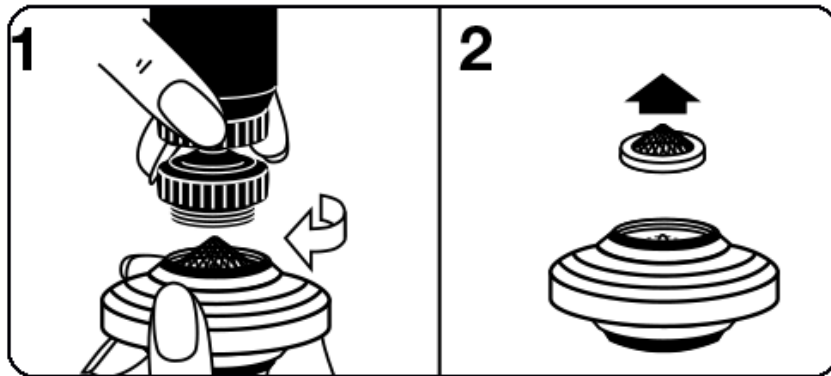
ATTENTION: it is not necessary to tighten too hard as you only risk damaging the lock nut. For a perfect watertight seal, the male tap thread must be flush with the end of the female tap sprayer thread, by using the provided washers.

FUNCTIONALITY



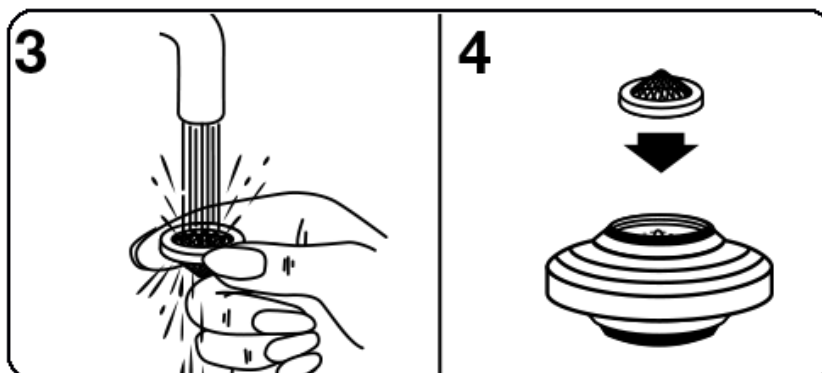
To switch the function of the tap sprayer (from aerator to shower), simply push the outer collar downwards.

MAINTENANCE



To keep the tap sprayer always in perfect conditions (even in case of irregular flow), clean the special stainless steel screenwasher.

1. Unscrew the tap sprayer head;
2. remove the screenwasher;

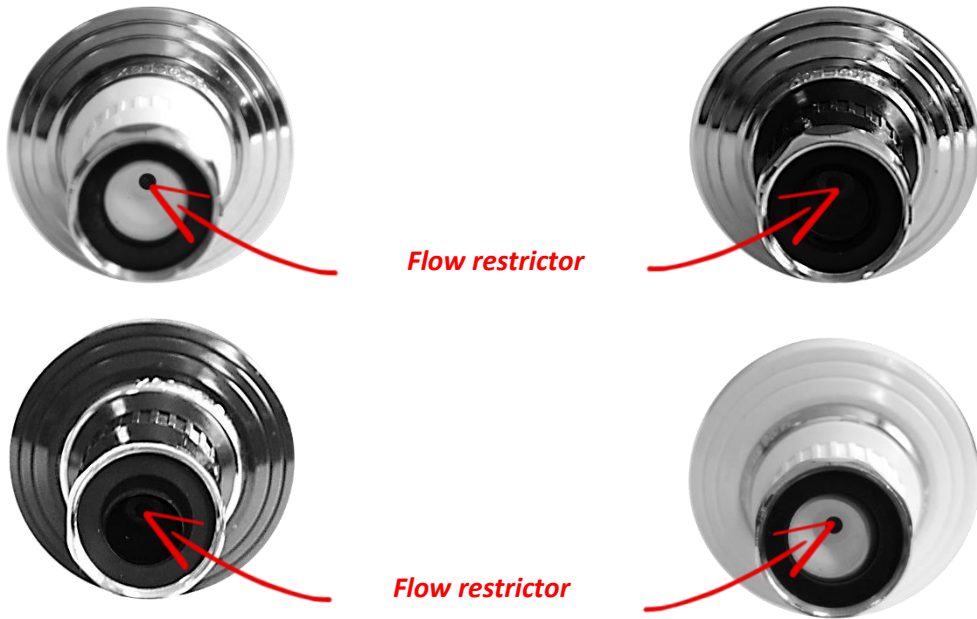


3. rinse the screenwasher with water;
4. replace the screenwasher.

If you notice limescale deposits, simply unscrew the tap sprayer head, soak it in vinegar or an anti-limescale product for a few hours and brush off the residues: it will be as good as new.

FLOW RESTRICTOR

Deluxe is part of our product line “**Save the Blue Gold**”, aimed at promoting the water saving. Therefore it is also available in the version with the “built-in” water saver.



The built-in flow restrictor (NOT removable from the tap sprayer) allows a **water saving up to 40%**.

PACKAGE



BEWARE OF IMITATIONS